

# BOW & STERN THRUSTER

## INSTALLATION MANUAL SS/ST/WB/230/240/340/350 SERIES

VOLUME 2.5, MAY 2023

Sideshift Inc. 130 Industrial Ave, Unit 303, Carleton Place, ON, Canada K7C 3T2  
**1.877.325.4787 +613.686.6011 INFO@SIDESHIFT.COM**

## TABLE OF CONTENTS

<b>Introduction .....</b>	<b>3</b>
Safety warnings .....	4
<b>Model Types.....</b>	<b>5</b>
Bow Thruster Models.....	5
Stern Thruster Models .....	5
<b>Parts and Tools.....</b>	<b>6</b>
Bow Thruster Parts.....	6
Stern Thruster Parts .....	9
Common Parts .....	10
Required Tools and Unsupplied Materials .....	13
<b>Electrical Components.....</b>	<b>14</b>
Battery Requirements.....	14
Battery Capacity and Age.....	14
Battery Storage.....	15
Connecting Batteries in Parallel to Boost CCA .....	15
24 Volt Batteries .....	16
Preparing Shunt Cables .....	16
Windlass Batteries.....	18
Cable and Terminal Requirements .....	17
<b>Installation Overview .....</b>	<b>18</b>
<b>Installation Instructions – Bow .....</b>	<b>19</b>
Bow Thruster Placement.....	19
Step-By-Step Instructions .....	20
<b>Installation Instructions – Stern.....</b>	<b>29</b>
Stern Placement.....	29
Propeller Depth.....	30
Stern Placement Examples.....	30
Step-By-Step Instructions .....	32
<b>Installation Instructions – Electrical.....</b>	<b>40</b>
How To Install Terminal Lugs.....	43
Schematics .....	
230 Series Thrusters (12 Volt) Schematic.....	45
340 Series Thrusters (12 Volt) Schematic.....	46
240/350 Series Thrusters (24 Volt) Schematic.....	47



<b>Installation Instructions –</b>	
<b>Wireless Joystick and Remote.....</b>	<b>49</b>
Reset Receiver Pairings.....	
<b>Maintenance.....</b>	<b>55</b>
Motor Unit .....	55
Anodes.....	55
Antifouling Paint .....	55
Battery .....	55
Replacement Parts .....	57
Anode Kit Part Numbers .....	57
Motors .....	57
Propeller Kit.....	58
Joysticks and Key Fob .....	58
<b>Warranty .....</b>	<b>59</b>
<b>Specifications .....</b>	<b>60</b>
Bow Thrusters .....	60
Stern Thrusters.....	60
Wireless Receiver .....	60



# INTRODUCTION

Thank you for your purchase of a Sideshift thruster system.

Sideshift thrusters are designed for easy installation by anyone with basic mechanical and electrical skills.

This manual explains everything you need to know about installing your Sideshift thruster.

**We also provide unlimited telephone support at [1.877.325.4787](tel:1.877.325.4787).**

**Also see our website for helpful installation videos at [Installation - Sideshift Bow Thrusters and Stern Thrusters](#)**

This manual explains the different types of thrusters, the parts, tools and procedures required to install them, the electrical system that supplies power to the thruster motors, as well as maintenance and troubleshooting procedures.

We recommend that you familiarize yourself with the entire manual before starting your installation.



## Safety warnings

- WARNING:** Ensure thruster battery switch and main ignition are turned off when conducting maintenance and repair of the thruster.
- WARNING:** Use extreme caution when swimmers are in the area of the thruster. Turn off ignition and avoid contact with thruster props when boat is stationary.
- WARNING:** For optimal thruster performance and to prevent overheating operate the Sideshift thruster in short bursts of 3-5 seconds at a time as a standard practice. Never run for more than 30 seconds at a time.
- WARNING:** When operating out-of-water do not run thruster for longer than 5 seconds to prevent overheating.
- WARNING:** If conducting an in-water installation, use a cordless drill only, as a corded drill can present an electrocution hazard.



# MODEL TYPES

There are two basic types of Sideshift thruster systems covered in this manual: fixed-mount bow thrusters and fixed-mount stern thrusters.

Electrical connections and controls for both types are similar, however placement and mechanical attachment details vary between the two types of thrusters.

Our SS/ST series thrusters do not retract or deploy. They are permanently fixed to the boat and rise out of the water when the boat planes, creating no drag. They also work well on displacement type hulls and will create no noticeable drag, nor will they affect handling.

## Bow Thruster Models

Model	Suitable Boat Length	V DC	Current	HP	No. Props
SS230	20-35 ft. (6.1 – 10.7 m)	12	300 A	2.5 HP	Single prop
SS340	30-45 ft. (9.1 – 13.7 m)	12	550 A	5.0 HP	Dual prop
SS350	40-60 ft. (12 – 18.3 m)	24	400 A	7.5 HP	Dual Prop

## Transom-Mount Stern Thruster Models

Model	Suitable Boat Length	V DC	Current	HP	No. Props
ST/WB230	20-30 ft. (6.1 – 9.14 m)	12	300 A	2.5 HP	Single prop
ST340	20-45 ft. (6.1 – 13.7 m)	12	550 A	5.0 HP	Dual Prop
ST350	40-60 ft. (12.2 – 18.3 m)	24	400 A	7.5 HP	Dual Prop




## Outboard/Outdrive-Mounted Stern Thruster Models

Model	Suitable Boat Length	V DC	Current	HP	No. Props
ST230	20-30 ft. (6.1 – 9.14 m)	12	300 A	2.5 HP	Single prop
ST230-Dual	30-40 ft. (9.14 – 12.2m)	12	500 A	5 HP	Dual prop
ST240-Dual	35-50 ft. (10.7 – 15.24m)	24	400 A	7.5 HP	Dual prop







# PARTS AND TOOLS

## Bow Thruster Parts


Item	Photo	Purpose
Bow cover		Secures thruster base to hull. Covers and protects through-hull connections
Bow thruster base with motor		Propeller and motor
Clamp Strap		Secures thruster base to hull.



<p>Center Bolt</p>		<p>Attaches clamp strap to thruster</p>
<p>Lock Nut (1)</p>		<p>Locks center bolt in place</p>
<p>Threaded hull insert and bolts (2)</p>		<p>Secures clamp strap assembly to hull.</p>
<p>Hull insert epoxy kit</p>		<p>Cements threaded hull inserts in place</p>





Top through bolt assembly		Secures top of upper section
Side screws (2)		Secures upper section cowling






# Stern Thruster Parts

Item	Photo	Purpose
Stern thruster base with motor		
L Bracket		Attaches stern thruster to transom
Swim Platform Extension Bracket		Attaches stern thruster to underside of swim platform







## Common Parts

Item	Photo	Purpose
Joystick (single)		Controls bow or stern thruster.
Joystick (Dual)		Dual control for bow and stern thruster.
Motor Controller		Switching solenoid for turning thruster on and off.



Anti-seize (Brake Protection Paste)		Prevents screw and bolt threads from seizing, facilitating easier assembly and disassembly.
Heat shrink tubes (sufficient for all cables attached to motor controller. Cut to size)		Provides waterproofing for cable at battery terminals.
Battery terminal protectors		Protects terminals from moisture and prevents shorts.
Terminal lugs and cable lug crimper		Assortment of terminal lugs for connecting thruster cables to batteries, motor controller and battery switch. Lug crimper also included.



Part	Image	Purpose
Wireless Key Fob		Allows wireless remote operation of thrusters. Works with all thruster models.
Battery Switch		On/Off switch for thruster batteries
Fuse/Voltage Indicator		Fuse/Digital voltage indicator
Wireless Receiver		Wireless receiver module connects to motor controller to receive control signal from joystick/wireless remote



## Required Tools

- Cordless DC drill
- Water-proof angle drill (optional, for in-water installations)
- Heat gun
- $\frac{3}{8}$ " drive torque wrench
- #2 Phillips screwdriver
- Wire stripper
- Wire crimper
- $\frac{7}{8}$ " socket
- SAE wrench set  $\frac{3}{8}$ " to  $\frac{3}{4}$ "
- Pliers
- $1\frac{1}{2}$ " joist drill bit
- $\frac{1}{2}$ " 13 mm drill bit
- Drill bits up to  $\frac{1}{2}$ "
- $\frac{3}{16}$ " hex socket driver
- Caulking gun
- Hacksaw
- 2  $\frac{1}{2}$ " hole saw



# ELECTRICAL COMPONENTS

## Battery Requirements

**The batteries supplying the thruster must be cranking type (NOT deep cycle) capable of supplying the required minimum CCA (Cold Crank Amps), outlined in the table below. Insufficient battery capacity will lead to poor performance and possible damage to the thruster motor.**

ST/SS Model	Qty	Voltage	Min. Total CCA (A)
230	1x12v	12	850
340 & 230-Dual	2x12v	12 V	1700
240 & 350	2x12v	24 V	850 at 24v

**Warning:** **It is essential that the cold cranking ampere (CCA) requirements are met as outlined in the table above.**

**Ensure batteries are load tested and properly charged at all times to avoid performance problems and thruster motor damage due to low voltage**

Batteries must be installed as close to the motor controller as possible for optimum performance. In ventilated areas, you can install either AGM or sealed lead acid starting-type batteries.

### BATTERY CAPACITY AND AGE

Under normal circumstances with new and fully charged batteries, you can expect around 50 thruster cycles before the battery must be recharged.

It is advisable to recharge batteries after each use if possible, to extend the life of the battery.

As batteries age and with repeated charge cycles, the battery slowly loses its ability to hold a charge. The deeper the discharge before recharging, the shorter the life of the battery. Over time it will be able to supply fewer thruster cycles before it requires recharging and eventually will lack the capacity to allow proper thruster performance.

Capacity reduces to the point that performance is poor or few thrust cycles are available before recharging, and the batteries must be replaced.



## BATTERY STORAGE

Over time, batteries self-discharge, even when disconnected. Some new batteries may have a self-discharge of 1-2% per month, but depending on the type and age of the battery, it can rise to 6% per month or more.

If the battery is coated with moist dirt and corrosion by-products, discharge rates can be even higher. Make sure the battery is clean and free of dirt and corrosion on and around the terminals.

If the battery is a flooded type, top up the electrolyte, ensuring that it is above the plates and below the vent cap well.

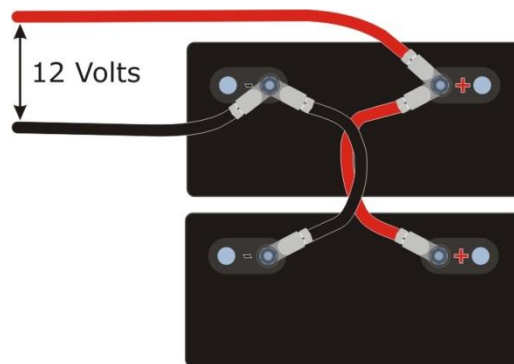
Fully charge the battery before storage, and store in a cool, dry place. Cooler batteries will self-discharge at a lower rate than warm batteries.

Check the terminal voltage of the battery periodically. When the terminal voltage drops below 12.4 volts (75% capacity), charge it until fully charged. More frequent charging is preferred if convenient. It is recommended to charge the battery every three months.

Note that as charge capacity decreases, the freezing point of the electrolyte increases. This is important because the electrolyte must not be allowed to freeze. At 62% capacity, the freezing point is  $-26.5^{\circ}\text{C}/-16^{\circ}\text{F}$ ; at 85% capacity, it is  $-52^{\circ}\text{C}/-62^{\circ}\text{F}$ .

## CONNECTING 12V BATTERIES IN PARALLEL TO BOOST CCA

You can double the CCA supplied from a single battery by connecting a second battery in parallel to the first. You may prefer this alternative to buying a larger single battery with the required CCA rating.



**Figure 1: Two batteries in parallel, doubling CCA**





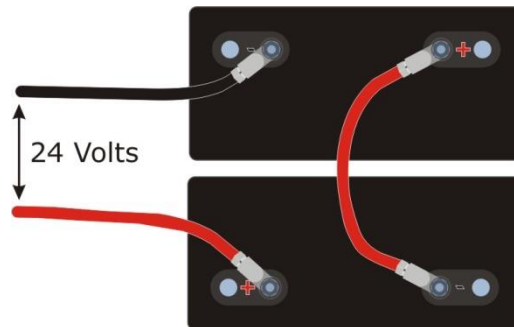
If you use a parallel configuration, the two batteries must be identical: same rating and same manufacturer and ideally new batteries, or at least operated as a pair for their entire service life. Each battery must be charged separately before installing to ensure they start at the same charge level. Batteries which are dissimilar in any way may not charge and discharge equally, leaving one battery undercharged.

To connect two batteries in parallel, prepare two shunt cables of the same gauge used to connect the batteries to the motor controller. Connect the positive post of one battery to the positive post of the other and the negative post of one battery to the negative post of the other.

One post will share two compression terminals: the shunt and the cable to the motor controller.

## 24 VOLT BATTERIES

24 volt batteries are less common than 12 volt batteries. You may find it more convenient and less expensive to use two 12V batteries in series.



**Figure 2: Two 12 V batteries in series, providing 24 V**

To connect two batteries in series, connect the negative post of one battery to the positive post of another using a short piece of battery cable of the same gauge used to connect the batteries to the motor controller. The two remaining posts are each connected to the motor controller using two battery cables, supplying 24V.

## WINDLASS BATTERIES

It is possible to share an existing battery bank with a windlass, providing it has sufficient capacity to meet both windlass and thruster usage, and is close enough to the bow to supply the bow thruster. It is not recommended to power the stern thruster from the windlass batteries due to the need for longer cable runs. Supplying both bow and stern thrusters from a single battery is not recommended. The more deeply discharged a battery becomes before it is recharged, the fewer charge cycles it can provide in its lifetime, so if both thruster and windlass are used to a point



where battery capacity drops below 75% before recharge, it is probably less expensive to provide a separate battery bank dedicated to the thruster.

The cable gauge, CCA and circuit protection already in place for the windlass must be compatible with the thruster in order for this approach to work. **We do not recommend using windlass batteries for our SS340 or SS350 bow thrusters.** See table below:

Thruster	Cable AWG	CCA	Circuit Protection
SS230	1/0	850 or greater	300 A peak

**Table 1: Shared Battery Requirements**

## Cable and Terminal Requirements

Due to the high current load drawn by the motors, it is essential that the correct type of cable and connectors are used, and that maximum cable length guidelines are observed according to the gauge and thruster model. These guidelines are summarized in the table below. The table assumes cables from the thruster to the controller have not been shortened.

Cable must be high quality tin coated copper, marine grade cable. Cable ends must be fitted with high grade cast copper, tin coated terminals and sealed with double wall heat shrink tubing for moisture protection.

Recommended cable gauge for connecting motor controller to thruster battery bank, fuse and battery switch:

Thruster Series	Cable AWG
230	1/0
340 & 230-Dual	2/0
240 & 350	2/0



# INSTALLATION OVERVIEW

Thruster installation involves three main phases: thruster mounting, joystick and electrical installation.

There are differences between installing a bow thruster and a stern thruster, although they share many common elements. Instructions for each type of installation are covered separately below.

Electrical installation and joystick installation are similar for bow and stern thrusters. Each is covered in a separate section.

Note that if you are installing both a bow and stern thruster, each thruster must have a separate electrical installation, including batteries, motor controller and joystick receiver. They can share a dual joystick which has two joysticks on a single console, or use two separate single joysticks.



# INSTALLATION INSTRUCTIONS

## – BOW THRUSTER

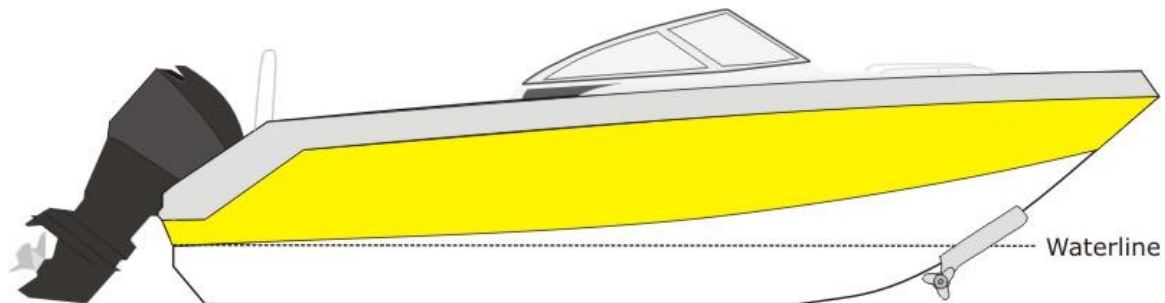
Bow thrusters can be installed with the boat in water or on land, although land-based installation is easier.

In order to obtain the strongest possible epoxy bond (when not using through-bolt hardware), installation should be performed when the hull is dry, clean and the epoxy and hull surface temperature is between 70°F/21°C and 75°F/24°C .

View installation procedures on-line at [Installation - Sideshift Bow Thrusters and Stern Thrusters](#).

### Bow Thruster Placement

The bow thruster is located on the center line, with the top of the propeller at least 5 inches (12 cm) below the shallowest waterline. The cables pass through the hull above the waterline.



**Figure 3: Bow Sideshift thruster placement**

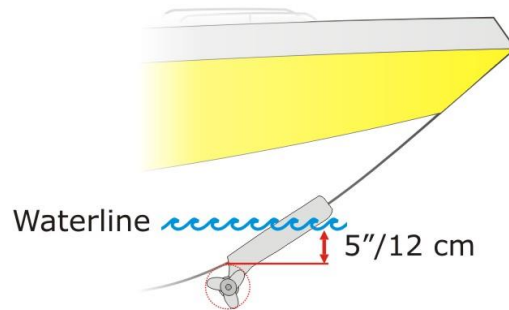


# Step-By-Step Instructions: Bow Thruster

## STEP 1: DETERMINE WATERLINE



The propeller must be at least 5 inches (12 cm) below the shallowest waterline and ideally out of the water when planing, so determining the waterline is a crucial first step to installation.



**Figure 4: Top of propeller 5" (12 cm) below water line**



**NOTE:** Be sure to determine the waterline with an empty boat to ensure thruster placement will keep the propeller a minimum of 5" (12 cm) below the waterline in the worst case scenario.

The water stain on the hull is a good indication of typical waterline over a range of conditions. Use the lowest indication of waterline if a water mark is visible.

If no water stain is visible, the waterline must be marked while the boat is in the water. With the boat completely unloaded (fuel tanks empty but standard equipment in place), mark the waterline near the bow of the boat with a grease pencil.

## STEP 2: POSITION CLAMP STRAP



Dry fit the clamp strap such that the holes at the end of each flange are between 2" and 6" (5 and 15.25 cm) above the waterline. Mark the position on the bow with tape. Duct tape works well.

Verify that drilling the hole locations selected in step a. above will not damage anything on the inside of the boat, for example a water tank or wiring etc. If in doubt, contact the boat manufacturer.

**WARNING:** Verify that the proposed location to drill the anchor holes and cable holes as determined above will not interfere or damage anything on the inside of the hull.

Remove the two-sided tape backing on clamp strap.

Reposition the clamp strap at the location marked above and fasten in place using the attached two-sided tape.



### STEP 3: DRILL HOLES FOR HULL INSERTS OR THROUGH-HOLE HARDWARE

**NOTE:** A water-proof angle drill may be required to drill the following holes if the boat is in the water.

**WARNING:** If in-water installation, use a cordless drill for the following procedure. A corded drill presents an electrocution hazard.

**WARNING:** Epoxy is an irritant. Wear eye protection and use disposable plastic gloves when handling epoxy.

Using a 5/16" or 8 mm drill bit, drill pilot holes through the hull at the center of each hole on either side of the clamp strap.

Remove the clamp strap.

Using a 1/2" or 13 mm drill bit, enlarge each pilot hole.

**NOTE:** **Alternative to epoxy insert method:** If you have access to the inside of the boat you can use the included hardware to through-bolt the clamp strap in place. Be sure to seal the holes with Sikaflex or equivalent sealant. Using this method step 4 can be skipped.

Clear debris from holes to ensure good epoxy adhesion.

### STEP 4: INSTALL HULL INSERT



- NOTE:** Surface must be dry before drilling otherwise epoxy may not form a strong bond between hull and insert.
- NOTE:** Epoxy will form the strongest bond when the surface of the hull where the inserts are installed is between 21°C/70°F and 24°C and 75°F.
- NOTE:** Wear disposable latex or plastic gloves for the following procedure.
- NOTE:** If inside access is available, clamp strap can be held in place with nuts and bolts rather than with the hull inserts.

Make sure hull surface and drilled holes are dry. If not, wipe dry then gently apply heat to surface with heat gun, taking care not to over-heat.

Load epoxy tube into caulking gun.

Flush nozzle with epoxy until you get a stream of consistently coloured epoxy. It will start off almost white and become progressively darker blue. When it is a consistent shade of blue, it is ready to apply.

- NOTE:** Ensure epoxy is mixing properly before applying to hull or insert otherwise it will not set properly.

### **Perform the following steps on each insert:**

Thread insert onto a bolt, providing a convenient handle.

Spread an approximately 1/16" (1.5 mm) thick layer of epoxy on the outer surface of the insert **and** on the inside of the hole.

Push hull insert into the hole in the hull until the top of the hull insert is flush with the hull.

Remove excess epoxy.

If access is possible, apply additional epoxy to each insert on the inside of the hull.

Allow sufficient time for epoxy to cure before proceeding with mechanical installation(see notes below).





- NOTE:** Be sure to keep epoxy clear of insert/bolt threads or bolt could become permanently bonded to insert.
- NOTE:** Epoxy must harden for at least 45 minutes at 25°C/77°F before proceeding with the remaining steps. Less time is required for elevated temperatures and more time for cooler temperatures.
- NOTE:** Epoxy must cure for at least 24 hours at 25°C/77°F before operating the thruster. Less cure time is expected for elevated temperatures and more time for cooler temperatures.

### STEP 5: FASTEN CLAMP STRAP



Apply anti-seize compound (included with thruster kit) to threads of the hull insert bolts.

Apply Sikaflex or equivalent sealant under clamp strap to ensure a sealed joint

Use a  $\frac{3}{16}$ " hex socket driver or hex key to torque the hull insert bolts to 10 foot-pounds, or until firm but not over-tightened.

Adjust the center bolt at the apex of the clamp strap: loosen the jam nut, adjust to center, retighten jam nut.



**STEP 6:** ATTACH THRUSTER BASE

Arrange thruster cables to either side of the clamp strap bolt.

Pass clamp strap bolt through slot in thruster base.

Install washer and thread nut onto center bolt.

Adjust the depth of the propeller relative to the waterline marked on the boat such that the top of the propeller blades are at least 5" (12 cm) below the waterline.

**NOTE:** The top of the propeller must be at least 5" (12 cm) below the waterline when boat is at its lightest operating weight.



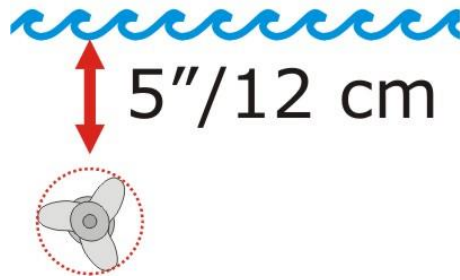


Figure 5: Propeller at least 5" (13 cm) below waterline

Tighten nut to 10 foot-pounds.

**NOTE:** Nut has to be tight enough to hold fast but not so tight that cowling is hard to install. Once installed, the thruster should be solidly attached to the boat. If the thruster is loose the nut needs to be tighter.

Using a hack saw, cut off excess threads beyond nut.

**Important: Using light taps with a hammer, bevel the rim at the end of the bolt. This will prevent the nut from working loose during operation which could result in the thruster coming loose from the boat.**



**STEP 7:** FEED CABLES THROUGH HULL

Temporarily slide the cowling from the top of the thruster frame into place. Mark outline with tape.

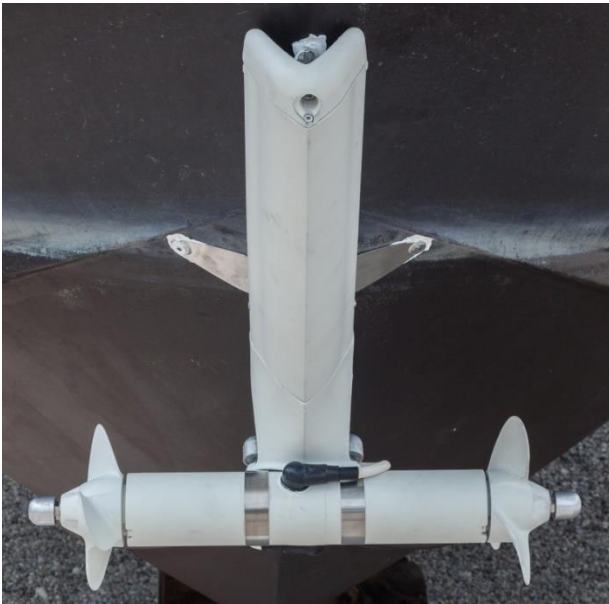
Using the tape markings as a guide, drill two 1/2" (13 mm) holes and one 1/4" hole through the bow of the boat within the tape markings. These accommodate the power cables. Remove the cowling.

**WARNING:** Verify that hole placement will not interfere with or damage anything inside of the hull, and that there is sufficient space so that cables can be accessed after passing through the proposed hole location.

Pass the cables through the hull, one per hole.

Seal holes with Sikaflex or equivalent sealant.



**STEP 8:** INSTALL COWLING

Remove marking tape.

Slide cowling in from the top of the thruster unit.

Push cowling all the way down.

Using the hole at the top of the cowling as a guide, drill a  $\frac{3}{8}$ " hole through the bow to accommodate the top bolt.

Fasten side screws.

Apply Sikaflex or equivalent sealant to the hole from the outside.

Pass bolt through top hole. Slide washer and nut in from the inside of the boat. Apply anti-seize compound (included with thruster kit) to threads of the bolt.

Tighten snugly with a wrench. **Note: For installations where top bolt is too long, use supplied spacers to compensate.**



# INSTALLATION INSTRUCTIONS

## – STERN THRUSTER

Stern thrusters can be installed with the boat in water or on land, although land-based installation is more convenient for transom, swim platform and sterndrive mounting. Outboard/Outdrive mounting can be done easily with the boat in the water.

View installation procedures on-line at [Installation - Sideshift Bow Thrusters and Stern Thrusters](#).

### Stern Placement for Transom or Swim Platform Mount(For outboard/sterndrive mount skip to page 38. For wakeboat mount skip to page 40.)

There are three guidelines you must follow to successfully mount the stern thruster on the transom or under the swim platform on inboard-powered boats:

1. The top of the thruster propellers must be a minimum of 5 inches (12 cm) below the waterline.
2. The area across the back of the boat must be clear to allow adequate side to side flow for the thrusters to be effective. For example, a thruster cannot be installed between two outdrive motors, otherwise the water forced to the side by the thruster propellers will be blocked by the motors and side thrust will be negligible.
3. The thruster must not interfere with main drive propeller or rudder.

You can install the thruster off-center and anywhere below the waterline providing the propellers are deep enough and not obstructed to the sides.

Heavy-duty transom mount L brackets and swim platform mounting extensions in 5", 10" and 15" lengths are available from Sideshift to allow installation of the thruster in a variety of scenarios.



## PROPELLER DEPTH

The thruster must be installed such that the tips of the propellers are at least five inches (13 cm) below the water surface. Ideally the mounting holes for the thruster should be above the water line, although they can be drilled below the waterline if necessary.

If mounted on the underside of the swim platform, mounting extensions can be purchased from Sideshift to attain the necessary depth. Use the following table to guide your extension length selection:

Platform to Waterline Distance		Extension Length
< 3"	(7.6 cm)	Not required
3" – 9"	(7.6 – 20 cm)	5"
10" – 14"	(23 – 33 cm)	10"
15" – 18"	(35 – 46 cm)	15"

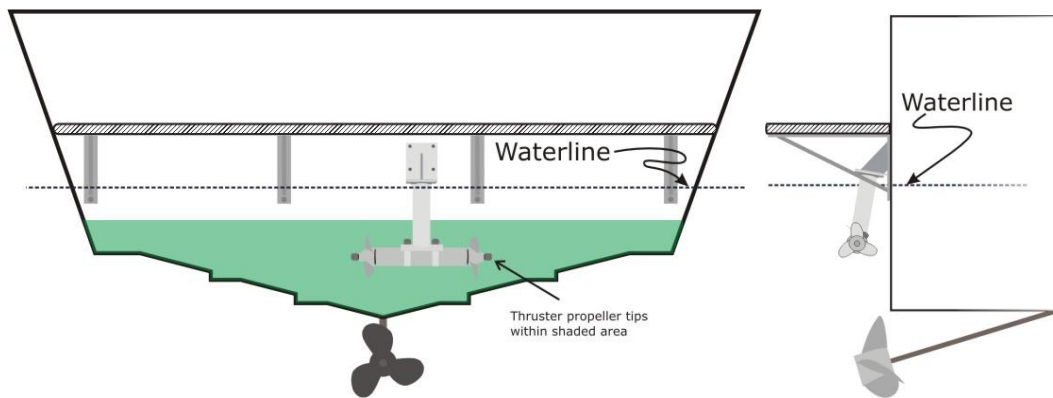
## STERN PLACEMENT EXAMPLES

Sideshift thrusters can be placed close to the hull provided there are no obstacles between the thruster propellers and the side of the boat. In this case, a right-angle bracket (Part# EX1-11) is bolted to the transom, and the Sideshift thruster is bolted to the angle-bracket. For example, the placement illustrated in Figure 6 provides good clearance around the thruster, and is a preferred placement method for most boats with inboard motors.

The green area in the illustrations below is intended to show the ideal location in which to mount the thruster and propellers. This green area places the top of the propellers at least 5" below the waterline and ideally no part of the thruster protrudes below the bottom of the hull.

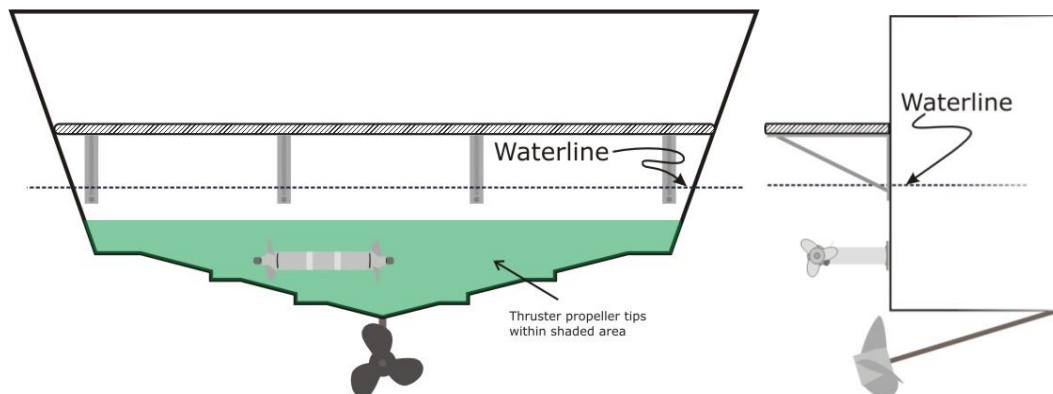
The optional bracket has an 80° angle, providing adequate clearance between the thruster and hull (eg to clear an anode on the transom). The bracket has a 7" and a 6" flange. The thruster can be mounted on either flange, as required.





**Figure 6: Angle-bracket mounting, inboard engine**

The thruster can also be mounted horizontally, eliminating the need for a bracket. See Figure 7. This has the disadvantage of requiring holes drilled below the waterline but may suit some installations where space is limited.



**Figure 7: Horizontal mounting, inboard engine**

The Sideshift thruster can be mounted vertically from the swim platform to clear outdrive motors as shown in **Error! Reference source not found..** Note that the thruster is off-center and that one propeller is at the outer edge of the hull. This is equally effective as a centered thruster, and since the entire thruster is within the green area, it is an acceptable installation.





# Step-By-Step Instructions: Transom or Swim Platform Mounting

## STEP 1: DETERMINE WATERLINE



The top of the propeller must be at least 5 inches (12 cm) below the waterline, so determining the actual waterline is a crucial first step to installation.

**NOTE:** Be sure to determine the shallowest waterline with an empty boat to ensure thruster placement will keep the top of the propeller a minimum of 5" (12 cm) below the waterline in all conditions.

The water stain on the hull is a good indication of waterline over a range of conditions. Use the lowest indication of waterline location if a water mark is visible.

If no water stain is visible, the waterline must be marked while the hull is in the water. With the boat completely unloaded (fuel tanks empty but standard equipment in place), mark the waterline on the transom with a grease pencil.



## STEP 2: DETERMINE MOUNTING POSITION

Follow the guidelines in the Stern Placement section on page [29](#) to determine a mounting position either on the transom or under the swim platform.

If mounting the thruster on the transom, you must consider the mounting hole location to ensure there is no interference on the inside of the hull. You may be able to remount components on the inside of the transom to suit your chosen location or change the mounting location. You can use an extension post if required to help find a suitable mounting position and still keep the top of the propellers 5" (12 cm) below the waterline while avoiding internal obstructions.

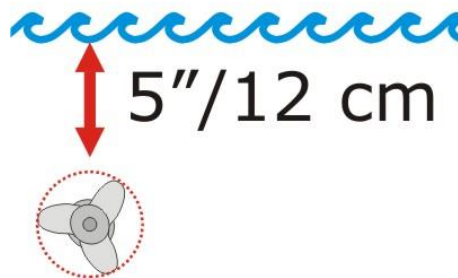


Figure 8: Propeller at least 5" (12 cm) below waterline

## STEP 3: DETERMINE CABLE FEED-THROUGH POSITION

Choose a location for the cables to pass through the hull that is above the highest waterline and convenient to the thruster. You will need one hole for each cable. Choose an entry point on the hull that will not interfere with any objects on the inside of the boat, or consider relocating objects inside the hull.

## STEP 4: DRILL HOLES

**NOTE:** A water-proof angle drill may be required to drill the following holes if the boat is in the water.

**WARNING:** If in-water installation, use a cordless drill for the following procedure. A corded drill presents an electrocution hazard.

Mark the four mounting holes on the outside of the transom, or on the swim platform, using the backing plate as a template.



Using a  $\frac{5}{16}$ " or 8 mm drill bit, drill pilot holes through the hull at the center of each hole (4 backing plate holes; 2 cable feed-through holes).

Using a  $\frac{3}{8}$ " or 10 mm drill bit, enlarge each pilot hole.

### STEP 5: ASSEMBLE STERN THRUSTER MOUNTING ASSEMBLY

If extension posts and/or angle brackets are required, bolt them together with stainless steel nuts and bolts.

**NOTE:** Be sure to use anti-seize compound (supplied with kit) on all nuts so that assembly and future disassembly is easier.

### STEP 6: ATTACH THRUSTER BASE



#### Transom mount

Apply Sikaflex or equivalent sealant in each hole and in an area between the bolt holes on the mounting flange.

Apply Sikaflex or equivalent sealant to the inside of the hull where the backing plate will sit.

Pass mounting bolts through backing plate from the inside of the hull.

Align thruster mounting flange with bolts. Pass each bolt through corresponding flange hole.

Tighten nuts by wrench onto each bolt.





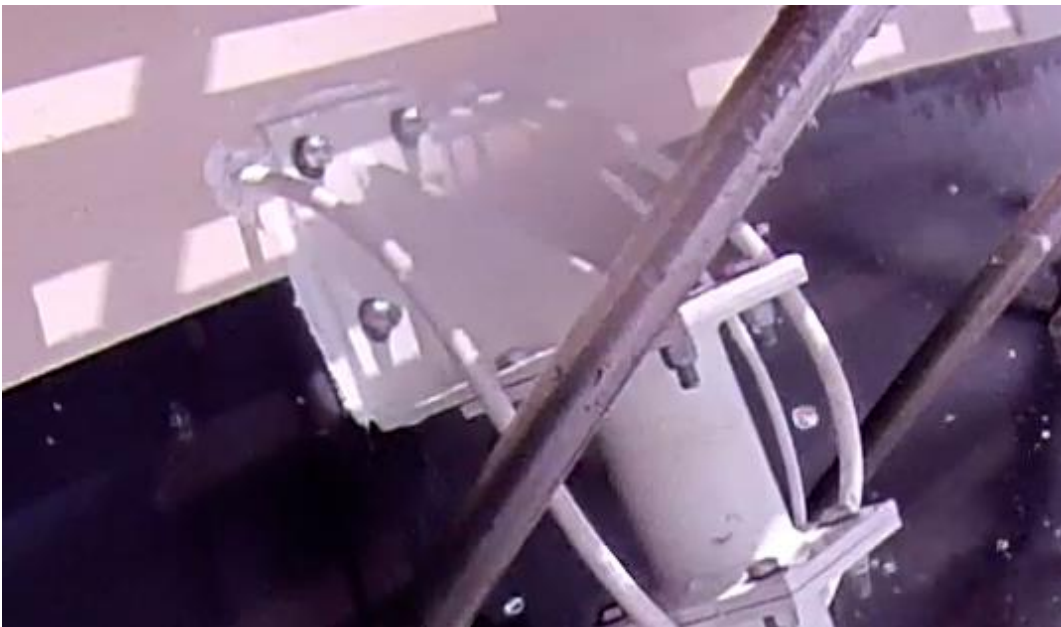
### Swim platform mount

**STEP 1:** PASS MOUNTING BOLTS THROUGH TOP BACKING PLATE ON TOP OF SWIM PLATFORM.

Align thruster mounting flange with bolts. Pass each bolt through corresponding flange hole.

Tighten nuts by wrench onto each bolt.

**STEP 2:** FEED THRUSTER CABLES THROUGH HULL



Pass the cables through the hull, one per hole.

Seal holes with Sikaflex or equivalent sealant.



## Stern Thruster Mounting – Outboards and I/O Drives

- Caution:** When operating the boat at high-speed trim the motor or I/O to ensure the thruster is just above the water surface. Failure to trim properly at high speed can cause heavy steering and may damage the thruster. <https://www.youtube.com/shorts/e2WZBSfPP4k>
- Caution:** When fully raising an outdrive in trailer mode, check for possible interference that may be caused by overhead swim platforms or other attachments.

Using the mounting plate as a template drill four 3/8" holes to the cavitation plate of the outboard motor or I/O drive. The plate can be attached to the top or bottom of the cavitation plate depending on the design of the motor. Bolt the mounting plate to the cavitation plate using the supplied hardware with the thread and nut in the upwards direction.



Place a generous amount of supplied Permatex on the threads and in the hole of each bolt. It is important that all thread and hole surfaces are well covered with Permatex to prevent corrosion of the hardware and cavitation plate and to enable easy removal in the future.



For single engine boats attach the ST230 thruster to the mounting plate with the thruster prop facing to the left(port) side of the engine. On dual-engine setups, the thrusters must be mounted with the props facing inwards and thruster cables pointed towards transom(see below).



Route the electrical cables through an appropriate opening in the stern using the included nylon sleeve and cable clamps. Ensure the peel & stick cable clamp holder is attached to a clean and dry surface. Use included screw clamp hardware if required. Ensure that there is adequate cable clearance to compensate for movement of the motor or I/O side to side and vertically.



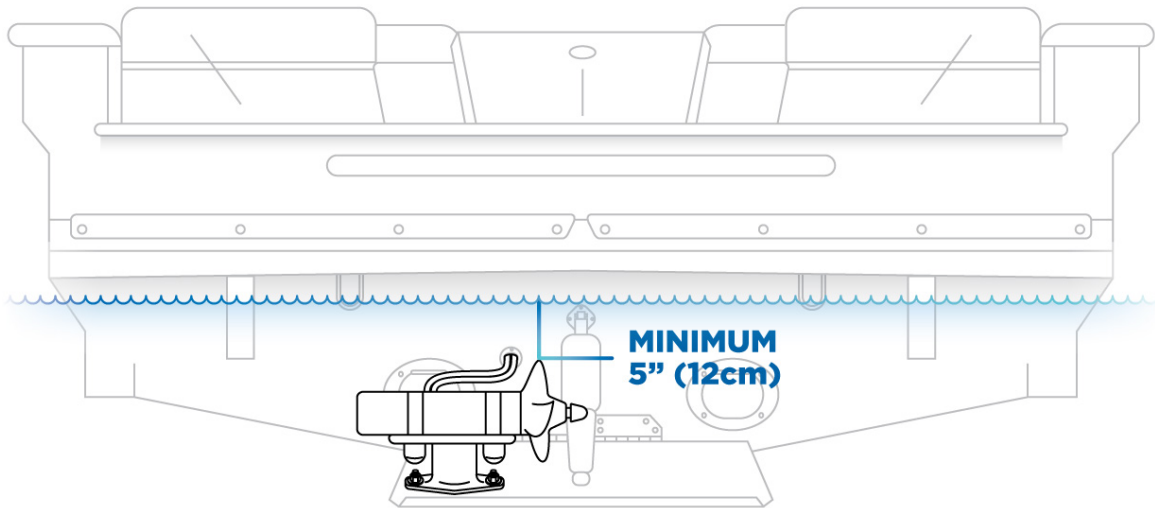
## Stern Thruster Mounting – Wakeboats and Sportboats

Using the thruster mounting flange as a template drill two 3/8" holes to the wave-shaping plate or transom depending on space availability. For transom mounting use the provided backing plate for securing the thruster from the inside of the transom.

Install the provided through-hull cable seal following the manufacturers instructions. Route the thruster cables through the cable seal to the inside of the hull.

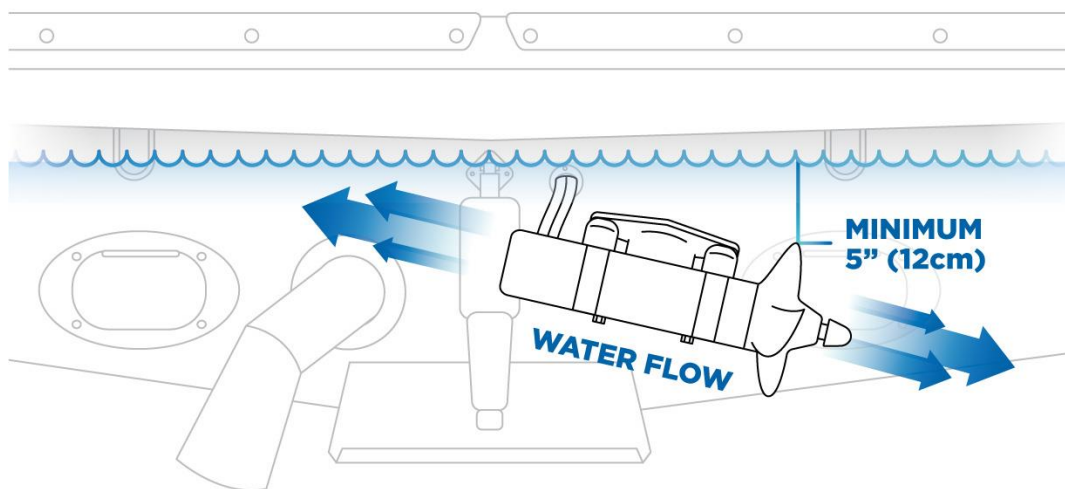


## 12.2 WAKEBOAT - Plate Mount



For transom-mounting pay particular attention to positioning of the thruster to ensure good side-flow for optimal performance. Angle slightly to avoid obstructions if necessary.

## 12.3 WAKEBOAT - Transom Mount





# INSTALLATION INSTRUCTIONS

## – ELECTRICAL

### STEP 1: LOCATE SITE FOR BATTERY SWITCH, FUSE, CONTROLLER, WIRELESS RECEIVER AND BATTERIES

**Find a dry location(Components are not waterproof)** inside the boat for the battery switch, fuse, motor controller and batteries as close to the cable entry point as possible. Keep the total cable run from the battery to motor controller to a maximum of 20ft. (4.5m) using the recommended cable gauge below. The fuse must be accessible so you can easily check system voltage and change the fuse if necessary.

Recommended cable gauge for connecting motor controller to thruster battery bank:

Thruster Series	Cable AWG
230	1/0
340 & 230-Dual	2/0
240 & 350	2/0

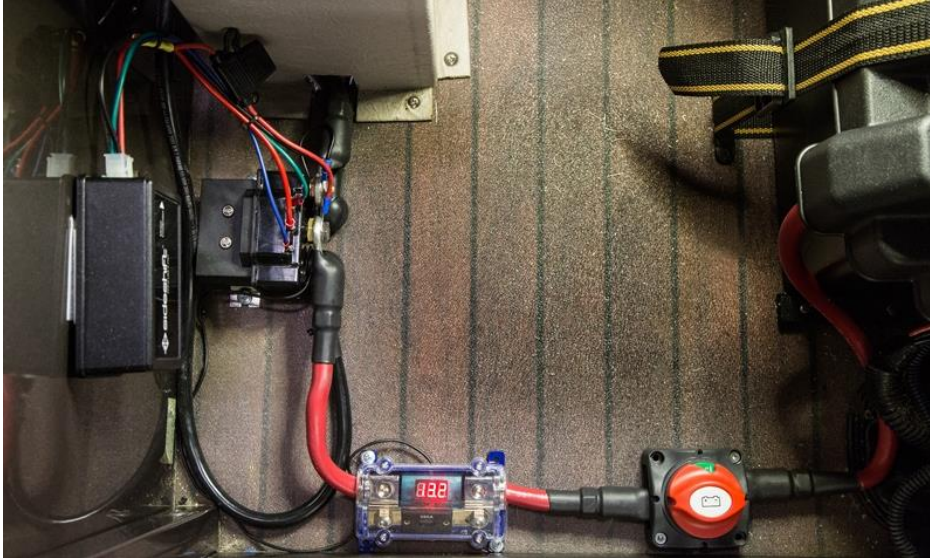
### STEP 2: CUT BATTERY CABLE TO LENGTH

If more than one battery is required, batteries must be arranged and connected in series or parallel as required. See Connecting 12v Batteries in Parallel to Boost CCA on page 15 and 24 Volt Batteries on page 16 for more details.

Cut two lengths of marine battery cable of suitable length to reach from batteries to controller. Note that one cable may need to be longer than the other to accommodate the location of the battery terminals.



### STEP 3: CONNECT THRUSTER BATTERY BANK TO BATTERY SWITCH, FUSE/VOLTAGE INDICATOR AND MOTOR CONTROLLER



Refer to relevant schematic starting on page 44 for correct connections.

Fit terminal protectors over each battery lead at the controller end.

Choose a terminal lug to match the cable gauge

1/0 AWG for 230 series connection to motor controller use lug part# T3-1

1/0 AWG for 230 series all other connections use lug part# T3-3

2/0 AWG for 240/340/350 series connection to motor controller use part# T3-2

2/0 AWG for 240/340/350 series all other connections use part# T3-4

Attach positive cable to the "BATTERY POS" post on the motor controller. Slip battery protector over terminal.

Repeat steps for "BATTERY NEG" cable.

### STEP 4: CONNECT BATTERIES

Fit battery protectors and then heat-shrink tube over each battery lead at the battery end.

See page 43 for instructions.



Attach positive cable (connected to "BATTERY POS" post on motor controller) to the positive post of the battery. Slip battery protector over terminal.

Repeat steps for "BATTERY NEG" cable.

### **STEP 5:** CONNECT THRUSTER TO MOTOR CONTROLLER

---

If thruster power cables are too long, cut them to length. Be sure that they are neatly routed, and comfortably reach the motor controller terminals. Leave some slack to make installation easier.

Fit battery protectors and then shrink tube over each thruster lead at the cable end.

For all thrusters use terminal lug part# M1 and M2

Connect one cable to "M1" and the other to "M2" on the motor controller solenoid.

**NOTE:** Motor power cable polarity is not identified. **If thrusters operate in opposite direction from joystick, reverse S1/S2 connections on motor controller.**



## How To Install Terminal Lugs

**STEP 1:** STRIP 1" (2.5 CM) OF INSULATION FROM EACH END OF CABLES

**NOTE:** Take care when stripping insulation to avoid damaging conductor. If some strands are removed the terminal may not make a good connection possibly resulting in performance reduction, a fire hazard or the cable pulling out of the terminal lug.

**STEP 2:** CHOOSE A TERMINAL LUG TO MATCH THE CABLE GAUGE(SEE PAGE 41)

**STEP 3:** INSERT CABLE INTO TERMINAL LUG

**STEP 4:** FOLLOW INSTRUCTIONS INCLUDED WITH THE CRIMPING TOOL. NOTE: HIT CRIMPING TOOL ON A SOLID SURFACE WITH SEVERAL SHARP BLOWS. ENSURE CABLE IS PROPERLY SECURED TO THE LUG BY DOING A PULL TEST.

**STEP 5:** INSTALL HEAT SHRINK TUBE

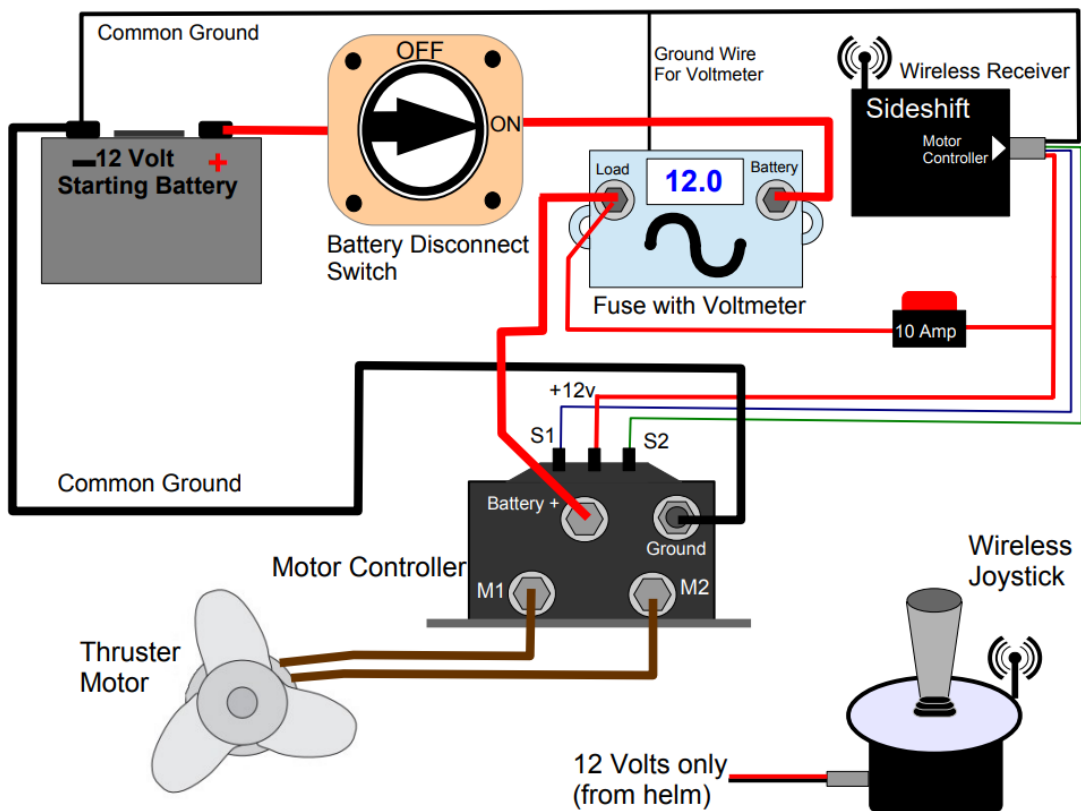
Slide shrink tube up the cable so that it covers the shaft of the terminal and the insulation of the cable.

Apply even heat to the shrink tube until it makes a solid seal around the cable and terminal.

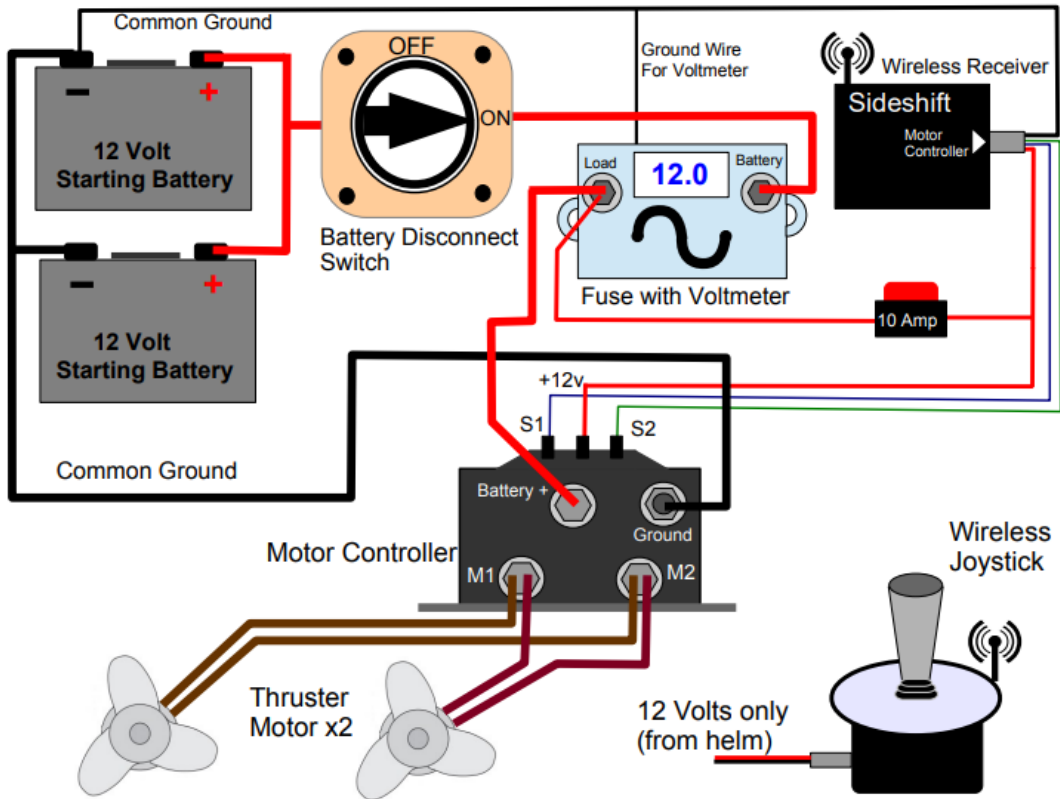


# Schematics

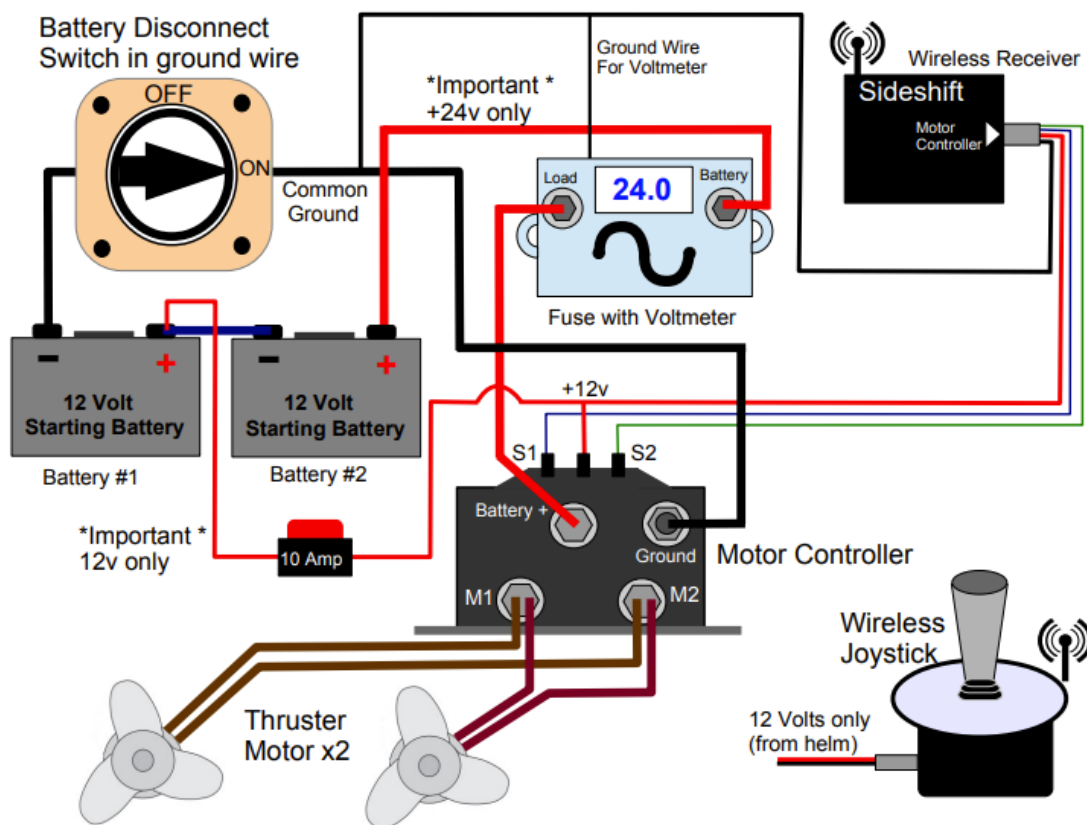
## SS230/ST230/WB230 SERIES THRUSTERS (12 VOLT) SCHEMATIC



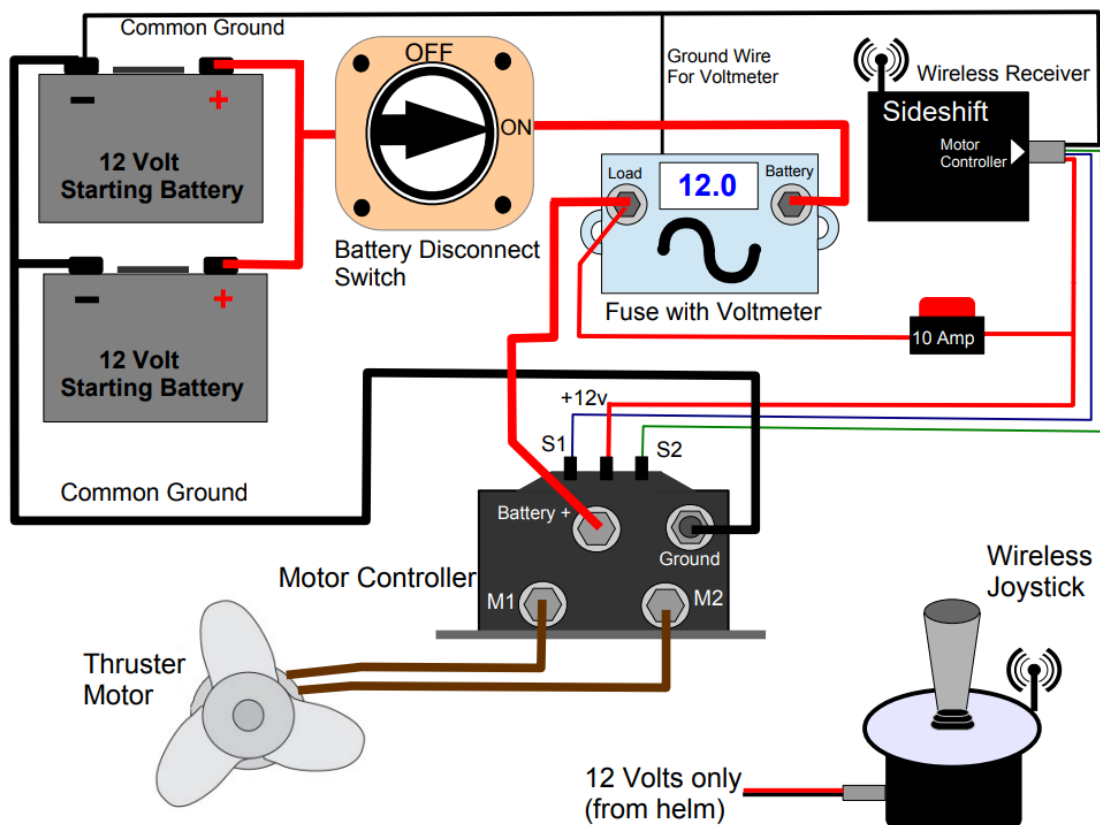
# ST230-DUAL (12 VOLT) SCHEMATIC



## ST240-DUAL (24 VOLT) SCHEMATIC

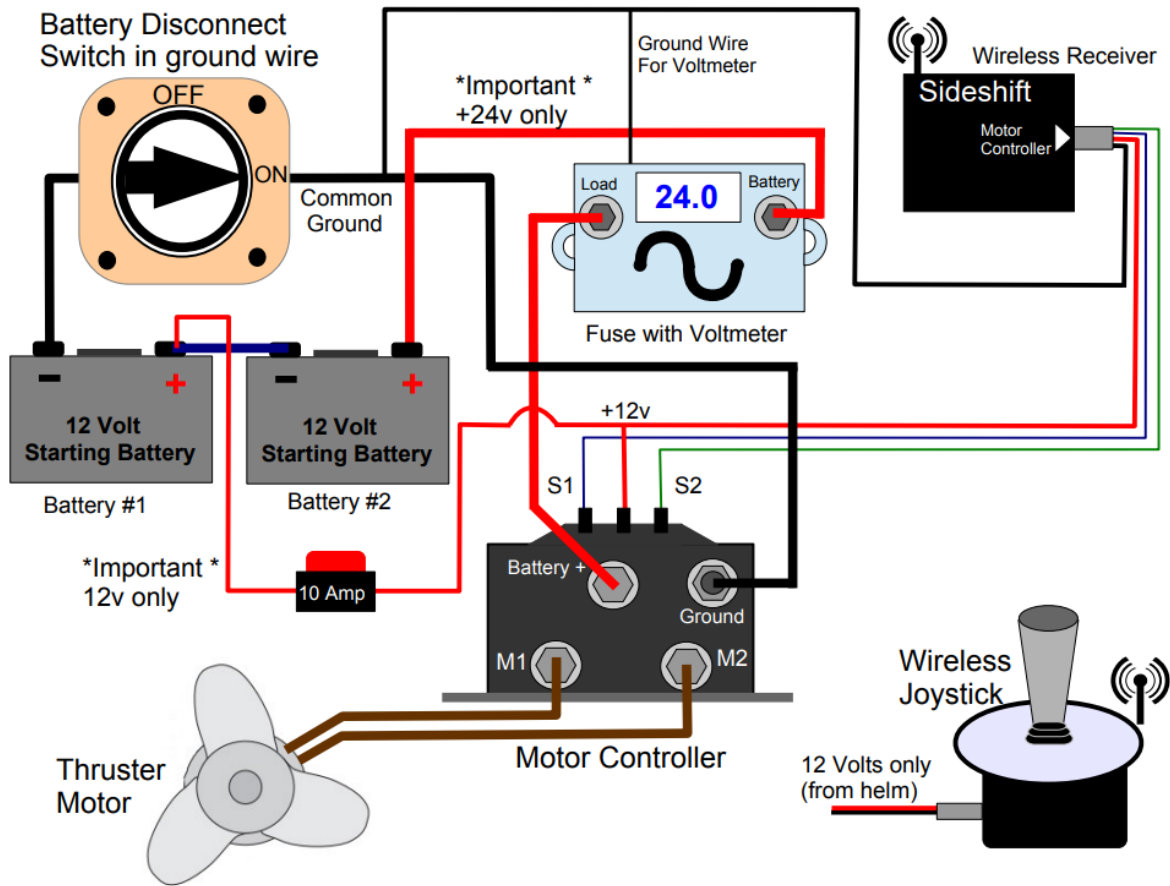


### 340 SERIES THRUSTERS (12 VOLT) SCHEMATIC





### 350 SERIES THRUSTERS (24 VOLT) SCHEMATIC



# INSTALLATION INSTRUCTIONS

## – WIRELESS JOYSTICK

Sideshift Wireless Joysticks make installation very straight forward. The joystick itself requires a 12V power source taken from the helm. The wireless receiver is installed next to the motor controller.

### STEP 1: INSTALL JOYSTICK ON CONSOLE



- a. Locate a position on the console of the boat suitable for the joystick. Check under the selected position on the console to ensure a minimum area of at least 4" diameter and a minimum three inches obstruction-free below the area of the joystick equipment.
- b. Peel the backing and place the supplied template in the chosen location.
- c. Using a 3/16" bit, drill a hole at the center of the template, marked by the cross-hairs.



- d. Using a 2.5" hole saw and the pilot hole drilled in Step 3 above, drill a hole at the center of the template.
- e. Remove the template.
- f. Connect the red and black leads from the joystick power cable to a direct 12v source under the helm.

**Note:** Do not connect the joystick cable through an accessory or other type of switch. A cigarette lighter is a good source of power.

- g. Plug the power cable into the back of the joystick
- h. Run a thin bead of marine sealant in the groove around the underside perimeter of the joystick, insert into the 2 1/2" cutout and press in place. Use a sharp knife or razor to trim any excess sealant.

## STEP 2: CONNECTING WIRELESS RECEIVER(REFER TO SCHEMATICS)

### 230/340 Series Thrusters

- a. Position the wireless receiver in a dry location near the motor control module.
- b. Connect the red and black leads from the 4 pin motor control cable to "battery neg" and "battery pos" on the battery.
- c. Connect "battery neg" and "battery pos" on the battery to "battery neg" and "battery pos" on the motor control module.
- d. Connect the blue and green leads from the 4 pin motor control cable to "switch 1" and "switch 2" on the motor control module.
- e. Plug the motor control cable into the wireless receiver module.

### 240/350 Series Thrusters

- a. Position the wireless receiver in a dry location near the motor control module.
- b. Connect the red(Positive) and black(Ground) leads from the 4 pin motor control cable to the "12v Positive" and "Common Ground" terminals on the battery bank.



- c. **Caution: DO NOT connect red and black leads directly to motor control module or damage to wireless receiver module will occur.**
- d. Connect "24v positive" and "Common Ground" terminals on the battery to "battery neg" and "battery pos" on the motor control module.
- e. Connect the green and blue leads from the 4 pin motor control cable to "switch 1" and "switch 2" on the motor control module.
- f. Plug the 4 pin motor control cable into the black wireless receiver control module.

**NOTE:** The joystick and wireless key fob are preprogrammed for operation. No pairing or programming is required.



## OPERATING THE THRUSTER

- WARNING:** Ensure main ignition and thruster battery switch are turned off when conducting maintenance and repair of the thruster.
- WARNING:** Use extreme caution when swimmers are in the area of the thruster. Turn off ignition and avoid contact with thruster props when boat is stationary.
- WARNING:** For optimal thruster performance and to prevent overheating operate the Sideshift thruster in short bursts of 3-5 seconds at a time as a standard practice. Never run for more than 30 seconds at a time.
- WARNING:** When operating out-of-water do not run thruster for longer than 5 seconds to prevent overheating.
- WARNING:** If conducting an in-water installation, use a cordless drill only, as a corded drill can present an electrocution hazard.

1. Turn power on to the joystick by holding the power button for 1 second. A beep will sound and the blue joystick light will activate indicating the thruster is ready for use.
2. To prolong motor life use the thruster in short 3-5 second bursts as required. Do not run for more than 20-30 seconds at a time.
3. The joystick will automatically power-off after 10 minutes of non-use.

## OPERATING THE WIRELESS REMOTE

1. For operation of the wireless remote the joystick must be powered on.
2. Push the top left or right buttons as required to operate the bow thruster.



3. Push the bottom left or right buttons to operate the stern thruster(if applicable).
4. The wireless remote will automatically power-off after 5 seconds to preserve battery life. To power on just press any button on the keyfob, assuming joystick power is still on.
5. A flashing green light indicates low battery. No green light indicates a dead battery.
6. To replace the battery remove the 4 screws, open the case carefully, and insert a new CR2032 coin cell battery.

## OPERATION AND FAULT MODES

Failure mode	Alarm	Action
<b>Thruster motor not operating</b>	Flashing blue light on joystick indicating low thruster battery voltage	<ul style="list-style-type: none"> <li>• Check thruster battery voltage</li> <li>• Load test batteries</li> <li>• Check charging system</li> <li>• Ensure fully charged batteries</li> </ul>
Operation	Action	Features
<b>Power on thruster</b>	Press and hold joystick power button for 1 second	<ul style="list-style-type: none"> <li>• Short beep and solid blue light to confirm power</li> <li>• Auto power-off after 10 min of non-use</li> </ul>
<b>Operate thruster</b>	Push joystick left or right as required	



## REMOTE KEY FOB OPERATION

Mode	Action	Features
<b>Power on</b>	<ul style="list-style-type: none"> <li>• Thruster must be powered on before using remote key fob</li> <li>• Press left or right arrows to operate thruster as required</li> </ul>	<ul style="list-style-type: none"> <li>• Solid green light when power on</li> <li>• Auto power-off after 5 seconds</li> <li>• Flashing green – Low Battery</li> <li>• No light – Dead battery or lost wireless connection</li> <li>• To reprogram remote turn on joystick and hold top two buttons down on remote for 5 seconds until there is a beep. Check for thruster operation.</li> <li>• Replace CR2032 Coin battery if necessary</li> </ul>



# MAINTENANCE

Sideshift thrusters are designed for long life, provided proper maintenance procedures are followed.

**WARNING:** When working near or on the Sideshift thruster, always turn thruster battery switch to “off” position.

## Motor Unit

The thruster motor unit is sealed and requires no maintenance. Check for and tighten any loose fasteners periodically.

## ANODES

The sacrificial anodes are designed to slowly corrode, thus protecting the motor housing from corrosion.

Replace the anodes **every year**. If anodes are not properly maintained, the motor may corrode and damage could occur.

To **remove** the anodes, use pliers to turn counter-clockwise.

To **install** new anodes, hand tighten until firm, then give them an extra half turn.

## PAINT

To touch-up or repaint the thruster and mounting hardware, remove any loose paint and scuff the surface for proper adhesion. Use any good quality acrylic enamel paint, also available for order through Sideshift.

## Battery

Ensure batteries are always fully charged. Unlike other battery technologies such as NiCad, batteries should be lightly cycled. Avoid discharging beyond 75% capacity and even less if possible. Allow battery to cool after charging and before use otherwise battery life will be reduced. To verify charge, measure the terminal voltage of the battery with **no load**, and refer to the chart below to determine the health of your battery:





Voltage	Specific Gravity	Approximate Charge*
>14.4		Over-charging**
>13.38		Charging
12.62	1.265	100%
12.54	1.251	90%
12.45	1.236	80%
12.4	1.225	75% ***
12.27	1.206	60%
12.18	1.19	50%
11.97	1.155	25%
11.76	1.12	0%

**Table 2: Terminal voltage vs. battery capacity**

Note *	It can take 2 hours after charging for the terminal voltage to properly reflect the charge level.
Note **	Over-charging can damage the battery and cause hydrogen gas to form which is an explosion hazard and can lead to serious injury and fire.
Note ***	Avoid discharging beyond 75% to avoid premature battery failure.



## Replacement Parts

The following replacement parts are available from your dealer or directly from Sideshift (website or phone order). See the Sideshift website for the latest accessories and current prices.

### ANODE KIT PART NUMBERS



Sacrificial anodes prevent unit corrosion (anodes corrode instead of motor). The small thread size fits the motor and the large thread size fits the propeller.

One kit fits all models of Sideshift thruster.

Sideshift Model	Part Number
230/240 series	AK-S-2
340 series	AK-S-2
350 series	AK-S-2

**Table 3: Thruster vs. anode kit**

### MOTORS



Replacement motors can be ordered as follows:

SS/ST Thruster	Part Number
230 replacement motor kit	MA230
340 replacement motor kit	MA340
350 replacement motor kit	MA350
240 replacement motor kit	MA240

**Table 4: Motor replacement kits**



Motors can also be rebuilt. This is practical as long as there is no internal water damage. Contact Sideshift for more information on motor rebuilding services.

## PROPELLER KIT

Propeller kits include one single propeller, nut, washer and shear pin. Order part number PROP KIT.

## JOYSTICKS AND KEY FOB

Replacement or additional wireless joysticks are available. Wired joysticks have been discontinued. If you have a legacy wired joystick that requires replacement, please contact the factory.



# WARRANTY

## 2 Year Warranty

Register your warranty at <https://sideshift.com/register-warranty/>

All Sideshift Inc. products are warranted to be free from defects due to faulty workmanship or defective materials for a period of two years. Products failing within the warranty period should be returned to Sideshift assembled and complete with a copy of the original invoice. Return requests must be emailed, mailed or faxed to Sideshift. The request should include an itemized list of material, stating the reason for the requested return. Upon approval Sideshift will assign a Return Merchandise Authorization Number which must be placed on the return shipping container. Delivery of returned merchandise will be refused and credit will not be issued without written authorization and shipping instructions from Sideshift.

Sideshift Inc. will not be responsible for accidental damage or expense caused by the following conditions:

- Damage due to improper installation
- Improper wire size or low voltage conditions
- Burn-out due to overloading motor or related damage
- Water exposure to electrical components
- Tampering with or altering the motor before, during or after installation
- Damage due to collision of any kind
- Damage due to entanglement of foreign objects such as fishing line and netting material
- Warranty does not cover paint damage, dents, nicks and normal wear and tear of the product following delivery and installation.



# SPECIFICATIONS

## Bow Thrusters

Parameter	SS230	SS340	SS350
Power (HP)	2.5	5.0	7.5
Voltage (V)	12	12	24
Start Current (A)	300	550	400
Length (in)	27.5	27.5	27.5
Propeller (type)	8"	8"	8"
Recommended boat size (ft.)	20-35	30-45	40-60

## Stern Thrusters

Parameter	ST/WB230	ST230-Dual	ST340	ST350	ST240-Dual
Power (HP)	2.5	5.0	5.0	7.5	7.5
Voltage (V)	12	12	12	24	24
Start Current (A)	300	500	550	400	400
Length (in)	8.75	8.75	16.75	16.75	8.75
Propeller	8"	8"	8"	8"	8"
Recommended boat size (ft.)	20-30	30-40	30-40	35-50	35-50

## Wireless Receiver

Parameter	Value
Supply voltage	12 VDC

Sideshift Inc.  
 130 Industrial Ave, Unit 303  
 Carleton Place, ON, Canada K7C 3T2

Toll free. 1.877.325.4787  
 Tel. +1.613.686.6011  
 Fax. +1.613.225.9599  
[www.sideshift.com](http://www.sideshift.com)

