

ST340-OB (Pat. Pending)



STERN THRUSTER



Benefits

- **Universal Mounting On Any Outboard Motor or Sterndrive**
- **No Holes Below the Waterline**
- **DIY Installation in <1 Day**
- **No Space Required Inside the Boat for Tunnel or Motor**
- **All Inclusive Kit**
- **Rises Out of Water When Boat Planes - Zero Drag**
- **Rugged and Reliable**

DESCRIPTION

The ST340-OB Stern Thruster from Sideshift is perfect for most boats up to 45' in length; the unit mounts to the anti-cavitation plate of any outboard motor or sterndrive. No tunnel or motor inside the hull is required. All mounting holes are above the waterline.

The unique mounting position creates zero drag as the units rides above water when the boat is on plane.

Offering an immediate response with its powerful water cooled 12V motor, the heavy-duty 8" aluminum propellers quickly position the stern in those tough docking or close quarters situations.

Saltwater proven, the rugged aluminum and stainless steel thruster is anode protected to prevent corrosion. It is finished with anti-fouling paint over epoxy primer.

Shipped as a complete kit with thruster, controller, wireless joystick and remote key fob, wiring harness, fuse with digital voltage indicator and battery switch, installation takes less than a day.

Kit Contents:

- Installation Kit with all Hardware
- 10' Wiring Harness
- Motor Controller
- Wireless Joystick & Key Fob
- Fuse with Digital Voltage Indicator
- Battery Switch
- Installation Manual

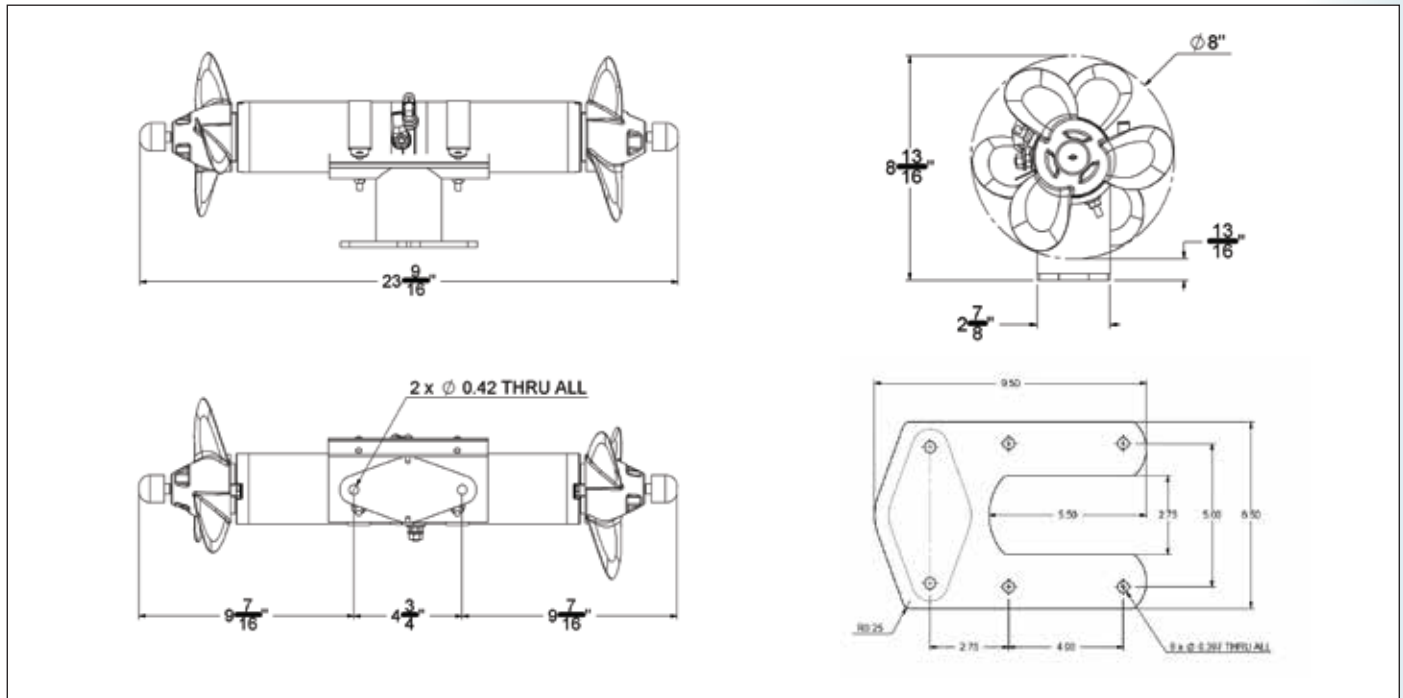
TECHNICAL DATA

Typical Boat Size	Boats from 30'(9m) to 45'(12.5m) in length
Motor Voltage	12 VDC
Motor Amperage	550 Amps
Motor Horse Power	5.0 HP
Motor Revolutions	3000 RPM
Motor Duty Cycle	Run time 30 sec Cool down 10 sec
Propulsion System	Two 8" Aluminum Propellers
Joystick Voltage	12V
Exterior Finish	Interlux Protect 2000 Epoxy Primer and Tri-Lux 498 Anti-Fouling Paint
Battery Requirements	Two 12V 850CCA Starting Type or Gel Cell Battery

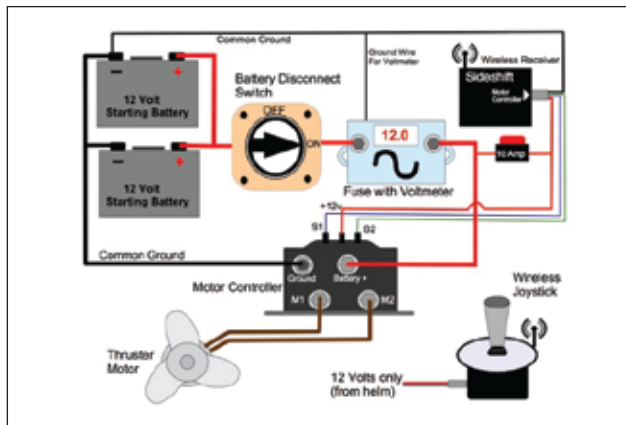


ST340-OB

MECHANICAL DIMENSIONS



340 SERIES THRUSTERS (12 VOLT) SCHEMATIC



STANDARD EQUIPMENT



Wireless Remote Key Fob
Allows operation of thruster from anywhere on boat or dock. Suits all thruster models.



Single Joy Stick:
Also Available in Black
Helm-mounted Thruster Control.

OPTIONAL ACCESSORIES



Transom Mount Angle Bracket
Allows mounting to any vertical transom.



Swim Platform Extension Kit
Available in 5", 10" and 15" lengths. Choose according to platform distance off water to gain appropriate thruster propeller depth.



Dual Joy Stick:
Also Available in Black
Helm-mounted Bow and Stern Thruster Control.

