



# HOUSEBOAT THRUSTER



## Benefits

### DESCRIPTION

The HB350 Houseboat Thruster from Sideshift is perfect for houseboats between 40' and 70' in length. The powerful 7.5 horsepower, dual prop thruster is mounted to the underside of the deck at the bow or stern to provide a strong pivot point advantage for optimum control in any weather.

To deploy, simply press the helm-mounted actuator switch and within seconds the HB350 drops down into position, stopping automatically at the perfect depth. From here precision guidance is right at your fingertips with the simple joystick control to swing your bow or stern in any direction, regardless of wind or current. An audible alarm and position sensor ensure operator awareness of the thruster at all times, preventing accidental damage.

Saltwater proven, whisper quiet and water-cooled, the HB350 Houseboat Thruster features two rugged 8" aluminum props, marine-grade anodized aluminum housing and stainless steel hardware. Shipped as a complete kit with thruster, controller, wireless joystick, wireless remote key fob, wiring harness and mounting hardware, installing the HB350 Houseboat Thruster takes only a few hours and can be done either in-water or on-land.

- **Available in Black or Silver Housing**
- **Can be Mounted Bow or Stern**
- **Fully Retractable Actuation System**
- **Proven 7.5hp Thruster Technology for Instant Response**
- **Fast 6 Second Deployment and Retraction**
- **Easy DIY Installation**
- **Whisper Quiet**
- **Rugged and Reliable**
- **In-Water Installation Possible**

#### Kit Contents:

- Dual Prop Thruster
- 20' Wiring Harness
- Motor Controller
- Helm-Mounted Wireless Joystick/Actuator Switch
- Mounting Hardware
- Wireless Remote Key Fob
- Installation Manual

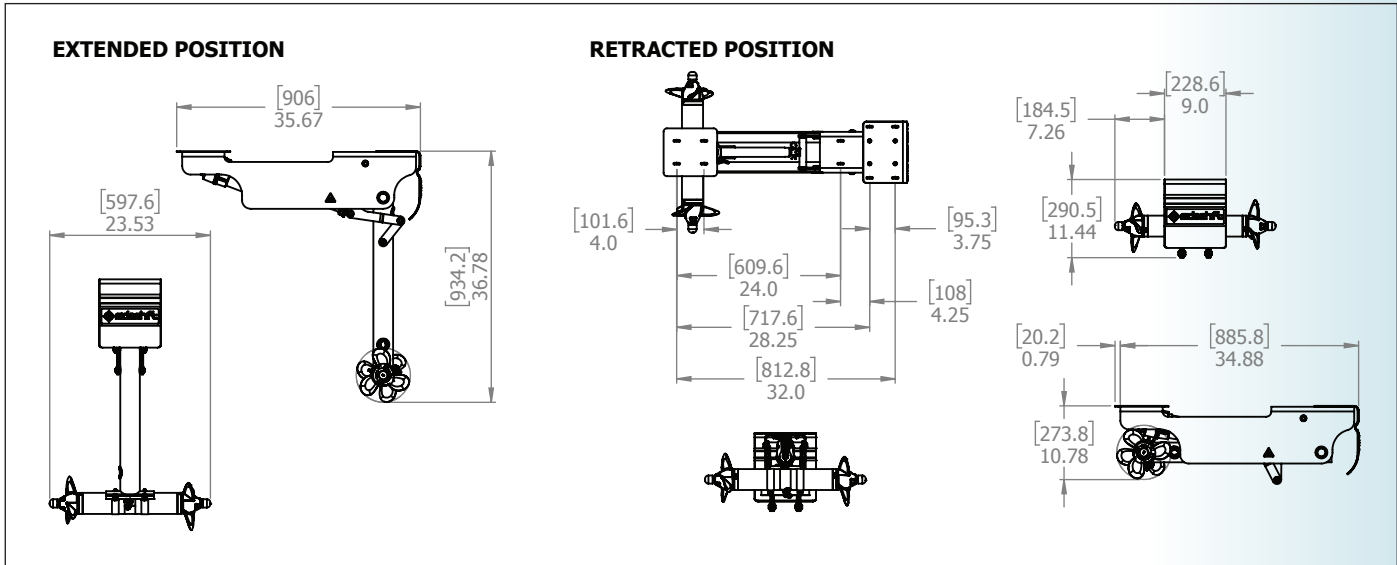
### TECHNICAL DATA

<b>Typical Boat Size</b>	Boats from 40' (12.5m) to 70' (21m) in length
<b>Actuator Speed</b>	6 seconds
<b>Motor Voltage</b>	24 VDC
<b>Motor Amperage</b>	400 Amps
<b>Motor Horse Power</b>	7.5 HP
<b>Motor Revolutions</b>	3000 RPM
<b>Motor Duty Cycle</b>	Run time 30sec Cool down 10 sec
<b>Propulsion System</b>	Two 8" Propellers
<b>Joystick Voltage</b>	12V
<b>Exterior Finish</b>	Interlux Protect 2000 Epoxy Primer and Tri-Lux 498 Anti-Fouling Paint
<b>Battery Requirements</b>	Two 12V 850CCA Starting Type or Gel Cell Batteries

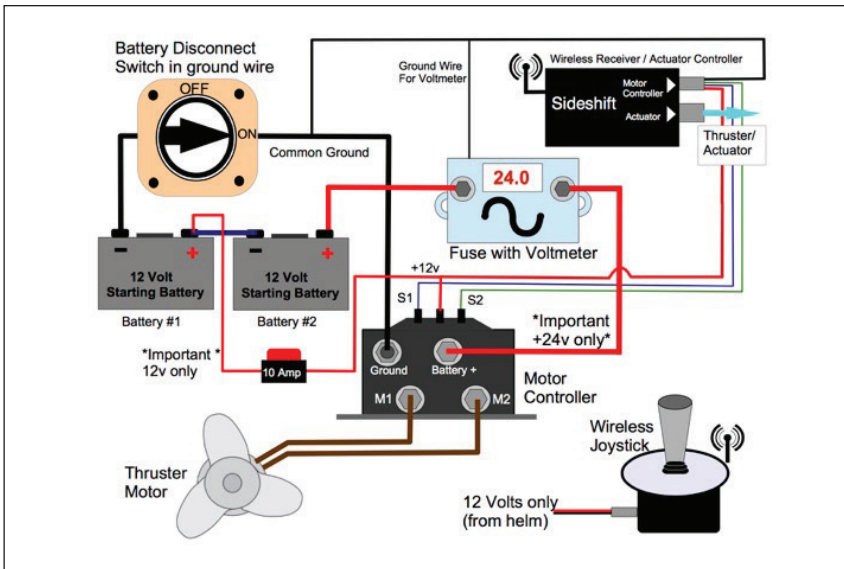


# HB350

## MECHANICAL DIMENSIONS



## 350 SERIES THRUSTERS (12 VOLT) SCHEMATIC



## STANDARD EQUIPMENT

## OPTIONAL ACCESSORIES



### Wireless Remote Key Fob

Allows operation of thruster from anywhere on boat or dock.



### Single Joy Stick

Helm-mounted Thruster Control.



### Dual Joy Stick

Helm-mounted Bow and Stern Thruster Control.

