

PT230



PONTOON THRUSTER

DESCRIPTION

The PT230 Pontoon Thruster is a fully retractable, 2.5 horsepower thruster that is perfect for pontoon boats of any size. The unit mounts on the underside of the deck on any dual or tri-pontoon boat. To deploy, simply press the helm-mounted actuator switch and within seconds the PT230 drops down into position, stopping automatically at the perfect depth to provide stress-free docking and maneuvering in any situation.

Saltwater proven, whisper quiet and water-cooled, the PT230 Pontoon Thruster features a rugged 8" aluminum prop, marine-grade anodized aluminum housing and stainless steel hardware. Shipped as a complete kit with thruster, controller, wireless joystick, wireless remote key fob, wiring harness and mounting hardware, installing the PT230 Pontoon Thruster takes only a few hours and can be done either in-water or on-land.

TECHNICAL DATA

Typical Boat Size	Up to 35'(9m) in length
Actuator System	12 VDC
Actuator Speed	6 seconds
Motor Voltage	12 VDC
Motor Amperage	300 Amps
Motor Horse Power	2.5 HP
Motor RPM	3500
Motor Duty Cycle	Run time 30 sec Cool down 10 sec
Propulsion System	Single 8" Aluminum Propeller
Joystick Voltage	12 V
Exterior Motor Finish	Interlux Protect 2000 Epoxy Primer and Tri-Lux 498 Anti-Fouling Paint
Battery Requirements	One 12V 850CCA Starting Type or Gel Cell Battery

Benefits

- **Fully Retractable Actuation System**
- **Proven 2.5hp Thruster Technology for Instant Response**
- **Fast 6 second deployment and retraction**
- **Easy DIY Installation**
- **Stress-free docking in any situation**
- **All Inclusive Kit**
- **Whisper Quiet**
- **Rugged and Reliable**

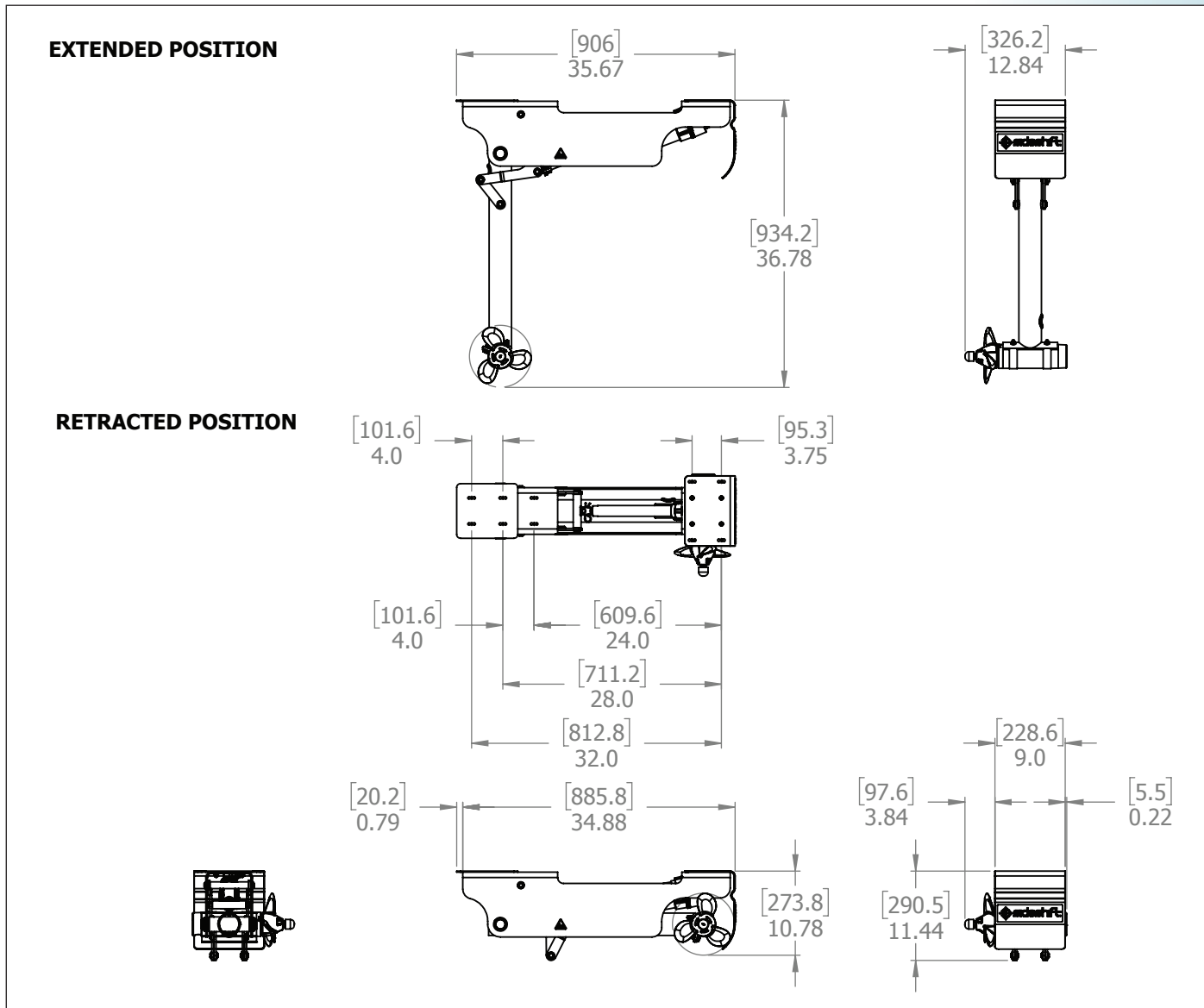
Kit Contents:

- Installation Kit with all Hardware
- 20' Wiring Harness
- Motor Controller
- Wireless Joystick
- Wireless Remote Key Fob
- Installation Manual



PT230

MECHANICAL DIMENSIONS



STANDARD EQUIPMENT



Wireless Remote Key Fob

Allows operation of thruster from anywhere on boat or dock.



Single Joy Stick

Helm-mounted Thruster Control.

